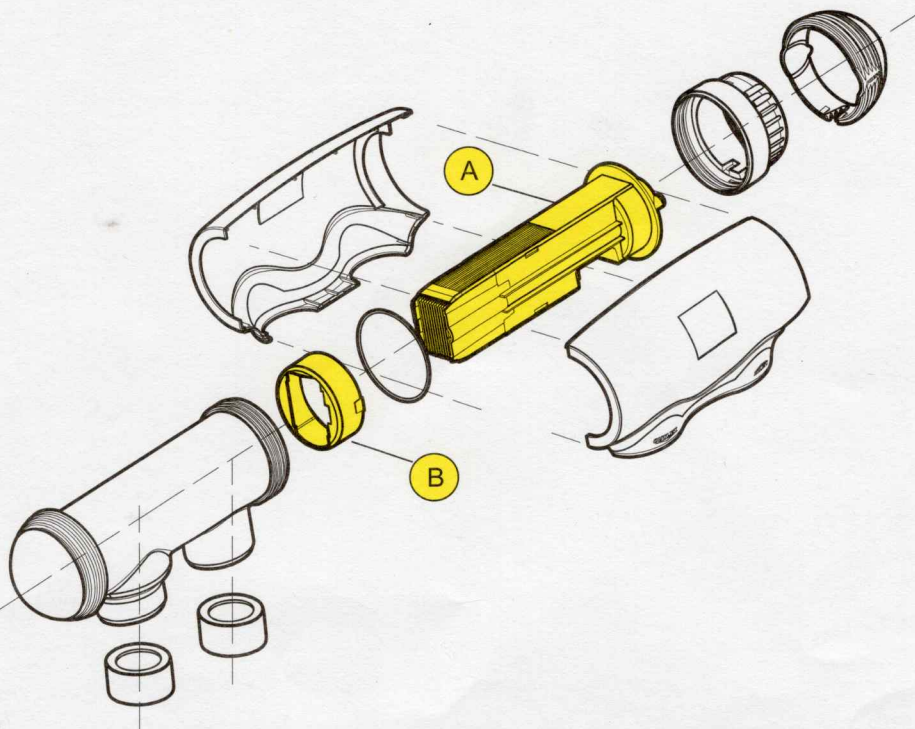


Installation Guide Generic LM3 Cell (all models)



This LM3 Generic Cell replaces both the Electrode part #A and the Adaptor part #B.

Remove these parts and discard before installing your new replacement cell.

The cell head has large and small locating lugs. Insert the cell into the cell housing so the lugs locate correctly.

TROUBLESHOOTING: If this LM3 Generic Cell does not want to fit in your housing then please ensure that you have removed the Adaptor part #B.