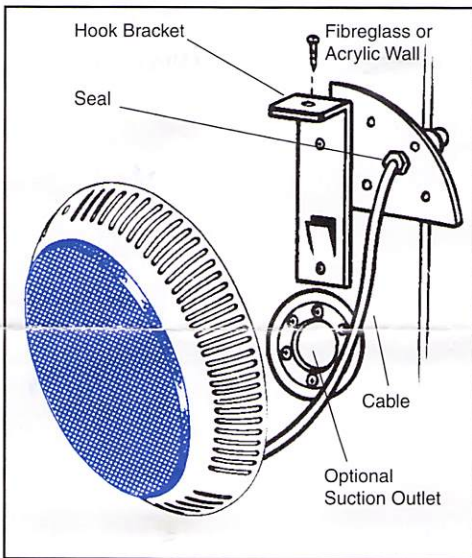


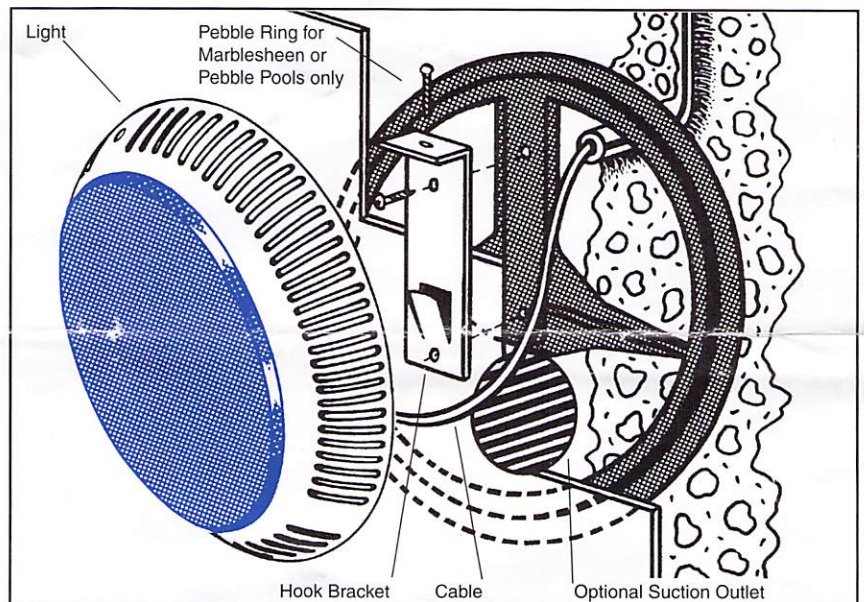
INSTALLATION INSTRUCTIONS FOR PART NO. S.E.3M

1. Light should be installed on a flat wall if possible.
2. Top of light should be approximately 30 cm below water level for easy servicing.
3. Conduit outlet for light cable should be positioned so as not to interfere with position of hook bracket or suction outlet.
4. For safe and proper installation, use only the parts (screws, plugs, wire etc.) provided and no others.
5. Transformer for light must be installed in an accessible position for servicing (not in roof or under buildings.) Fuses may need to be replaced.
6. When installing light in fibreglass or vinyl pools appropriate mounting kits must be used. For fibreglass or acrylic pools Part No. S.E. 19 for light only and Part No. S.E. 17 for light and suction. For vinyl lined pools Part No. S.E. 21 for light only and Part No. S.E. 26 for light and suction.
7. For fully tiled pools attach hook bracket directly onto tiles using plugs and screws provided. Do not use pebble ring supplied.
8. When installing light in pebble or marble sheen pools the pebble ring supplied must be used to ensure the light sits flush on the wall. Attach the pebble ring to the finished concrete wall with the pebble mix. Then ensure the final pebble surface is flush with the inner and outer raised edge of the pebble ring.

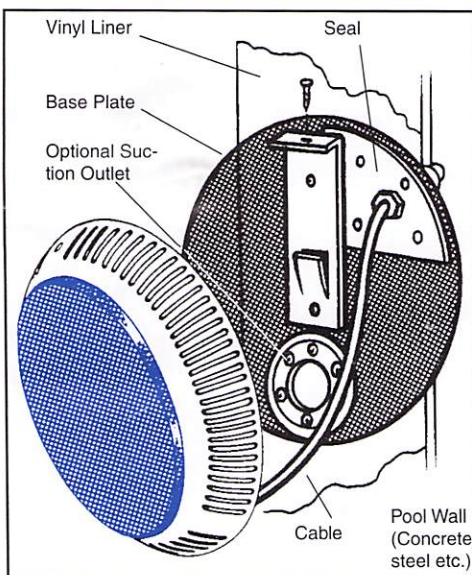
FOR FIBREGLASS POOLS



FOR CONCRETE POOLS



FOR VINYL LINED POOLS



WARNINGS

1. **LIGHT MUST BE WATER COOLED AT ALL TIMES. DO NOT SWITCH LIGHT ON UNTIL INSTALLATION IS COMPLETE AND LIGHT SUBMERGED FULLY IN WATER.**
2. **DO NOT REPLACE EXISTING WIRE INTO LIGHT FITTING WITH ANY OTHER GAUGE WIRE THAN PROVIDED.**
3. **ENSURE SUFFICIENT ADDITIONAL WIRE IS COILED BEHIND LIGHT FITTING TO ENABLE EASY REMOVAL OF LIGHT FOR SERVICING.**
4. **WHEN SPA POOL IS EMPTIED ENSURE LIGHT CANNOT BE TURNED ON (E.G. BY AIRSWITCH) AS DAMAGE WILL OCCUR.**

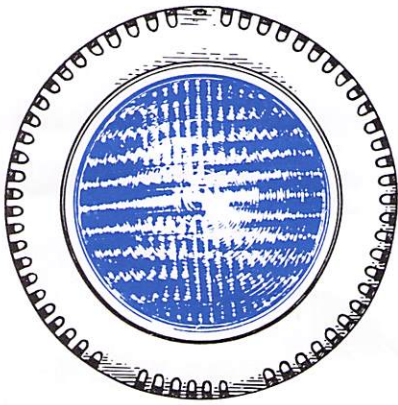
USER INSTRUCTIONS

Cable length should not be shortened. If in doubt contact Spa Electrics

1. Do not leave light switched on for a continuous period extending beyond eight (8) hours.
2. Do not subject light to physical abuse or misuse or otherwise interfere with its installation in any way.
3. To maximise globe life, run light once a week for at least 15 minutes.

UNDERWATER POOL & SPA LIGHT

Model SE3M



Australian Patents

U.S.A. Patent
No. 5122936

LIGHT - Degree of Protection IPX8 to
1.2m. Complies with AS 1939.

TRANSFORMER TO SUIT: - Degree of
Protection IP24. Complies with AS 3108.

CAUTION:

LIGHT MUST BE WATER COOLED
AT ALL TIMES. DO NOT SWITCH
LIGHT ON UNTIL INSTALLATION
IS COMPLETE AND LIGHT SUB-
MERGED FULLY IN WATER.



- ✓ Suitable for concrete, fibreglass and vinyl lined pools. Kits for vinyl lined pools and fibreglass pools available.
- ✓ Slotted rim allows water flow to eliminate stagnant water and to aid cooling.
- ✓ Can be used as a suction point, complying with AS2610.
- ✓ Choice of rim colours including: Black, Brown, Grey, Ivory or White.
- ✓ Interchangeable coloured lenses available in blue, green, red, magenta and clear.
- ✓ Simple installation and one screw mounting for ease of service.
- ✓ 18 metres of heavy duty 2.5mm² cable to reduce voltage drop and ensure maximum light output.
- ✓ Unique electrical connection, so power cable does not intrude into light cavity - eliminates possible source of water entry.
- ✓ Large lens seal.
- ✓ Extra low voltage
12 volts, 100watts
24 volts, 150watts (for replacement of existing lights or export orders)
- ✓ Designed and manufactured in Australia.
- ✓ Spa Electrics Pty Ltd is a fully Australian owned company.



CERTIFIED QUALITY
MANAGEMENT SYSTEM
— ISO 9001 —

Spa Electrics®

Spa Electrics Pty Ltd is the proprietor of the registered Trade Mark "Spa Electrics"



ABN 96 416 805 239

4/9 Monterey Rd, Dandenong Victoria 3175 Australia Telephone: (03) 9793 2299 Facsimile: (03) 9793 1799
www.spaelectrics.com.au